

# PT61

## FLOAT & THERMOSTATIC STEAM TRAPS - DN15, 20, 25



### DESCRIPTION:

PT61 float and thermostatic (internal air vent) steam traps are designed for draining condensate from all types of low and medium pressure steam heating and process equipment. Typical applications include unit heaters, heat exchangers, driers and jacketed vessels.

### AVAILABLE TYPES:

- PT61 - with Thermostatic Air Vent
- PT61S - with Steam Lock Release (SLR)
- PT61C - with Thermostatic Air Vent & SLR

### FEATURES:

Modulating discharge.  
Discharges condensate at steam temperature. Excellent air venting (by thermostatic air vent).

**USE:** Saturated and superheated steam

### LIMITING CONDITIONS:

|                                 |           |
|---------------------------------|-----------|
| PMA: Max. allowable pressure    | 16 bar(g) |
| TMA: Max. allowable temperature | 220 °C    |
| PMO: Max. operating pressure    | 14 bar(g) |
| TMO: Max. operating temperature | 220 °C    |
| Cold hydro test pressure        | 24 bar(g) |

**SIZES:** DN15, 20, 25

**CONNECTIONS:** Screwed (NPT/BSPT/BSP)

### INSTALLATION:

Standard horizontal installation with flow from right to left PT61.

UPON REQUEST:

- Horizontal installation with flow from left to right PT61 (L-R)
- Vertical installation with flow from top to bottom PT61(V)

Max. differential pressure range:

PT61-4.5 : 4.5 bar

PT61-10 : 10 bar

PT61-14 : 14 bar

The trap should be installed below the drain point of the equipment in a position so that the float arm is in a horizontal plane and the float rises and falls vertically, with the flow direction as indicated on the body. The arrow on the nameplate should be pointing vertically upwards.

### TRAP DISCHARGE CAPACITY IN kg/hr

| MODEL    | SIZE    | DIFFERENTIAL PRESSURE (bar) |     |     |     |      |      |      |     |     |     |     |     |     |     |     |     |     |
|----------|---------|-----------------------------|-----|-----|-----|------|------|------|-----|-----|-----|-----|-----|-----|-----|-----|-----|-----|
|          |         | 0.5                         | 1   | 1.5 | 2   | 3    | 4    | 4.5  | 5   | 6   | 7   | 8   | 9   | 10  | 11  | 12  | 13  | 14  |
| PT61-4.5 | DN15,20 | 200                         | 280 | 320 | 350 | 400  | 454  | 495  | --- | --- | --- | --- | --- | --- | --- | --- | --- | --- |
| PT61-4.5 | DN25    | 530                         | 700 | 750 | 879 | 1019 | 1099 | 1229 | --- | --- | --- | --- | --- | --- | --- | --- | --- | --- |
| PT61-10  | DN15,20 | 135                         | 150 | 165 | 180 | 210  | 241  | 255  | 280 | 300 | 350 | 391 | 405 | 420 | --- | --- | --- | --- |
| PT61-10  | DN25    | 230                         | 320 | 370 | 420 | 510  | 570  | 600  | 640 | 680 | 710 | 760 | 800 | 820 | --- | --- | --- | --- |
| PT61-14  | DN15,20 | 125                         | 140 | 150 | 165 | 190  | 221  | 230  | 246 | 271 | 296 | 325 | 350 | 375 | 404 | 430 | 454 | 482 |
| PT61-14  | DN25    | 130                         | 160 | 180 | 220 | 260  | 300  | 320  | 330 | 360 | 380 | 400 | 430 | 450 | 460 | 475 | 490 | 510 |

Recommended safety Factor : Steady condition : 1.5 - 2.0, Fluctuating condition : 2.0 - 3.0

**MATERIAL:**

| NO. | PART              | MATERIAL           | QTY. (Nos.) |
|-----|-------------------|--------------------|-------------|
| 1.  | BODY              | CAST IRON          | 1           |
| 2.  | COVER             | IS : 200 FG200     | 1           |
| 3.  | GASKET (COVER)    | Non CAF            | 1           |
| 4.  | VALVE SEAT        | AISI 410/ AISI 420 | 1           |
| 5.  | VALVE             |                    | 1           |
| 6.  | LEVER             | AISI 304           | 1           |
| 7.  | FLOAT             | AISI 304           | 1           |
| 8.  | AIR VENT ASSLY.   | AISI 304           | 1           |
| 9.  | BOLT              | HIGH TENSILE       | 4           |
| 10. | DRAIN PLUG        | C.S                | 1           |
| 11. | GASKET DRAIN PLUG | COPPER             | 1           |
| 12. | GASKET AIR VENT   | COPPER             | 1           |
| 13. | GASKET VALVE SEAT | COPPER             | 1           |
| 14. | BRACKET ASSLY.    | AISI 304           | 1           |

\*Only for 1" size (Not shown in view)

**DIMENSIONS:** Nominal in mm

| SIZE     | A   | B   | C  | D   | Wt.    |
|----------|-----|-----|----|-----|--------|
| DN15, 20 | 130 | 146 | 59 | 110 | 3.3 kg |
| DN25     | 145 | 162 | 66 | 110 | 4.3 kg |

**AVAILABLE SPARES:**

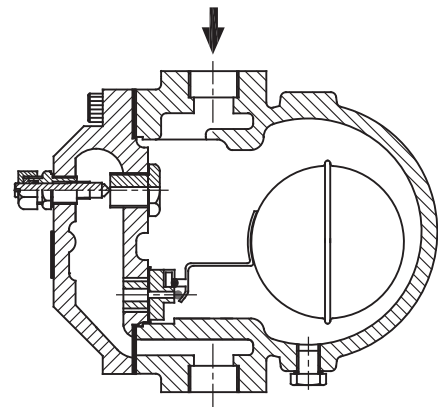
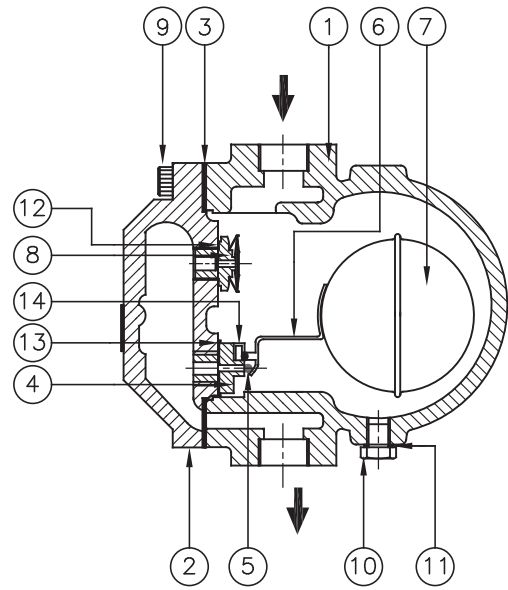
Valve Seat, Ball Float & Lever Assly.,  
Air Vent Assly., Gaskets.

**HOW TO ORDER:**

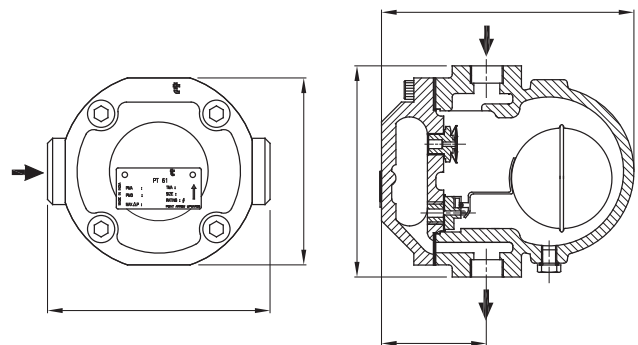
PT61-4.5 DN20 BSP

**ORDERING INFORMATION:**

- 1) Inlet Pressure in bar(g)
- 2) Back Pressure in bar(g)
- 3) Operating Temperature in °C
- 4) Condensate Load in kg/hr
- 5) Size & Model
- 6) Horizontal/Vertical
- 7) End Connections
- 8) Flow Direction
- 9) Type required with SLR with thermostatic Air Vent and SLR



SLR (STEAM LOCK RELEASE)



TV (THERMOSTATIC AIR VENT)

Local regulations may restrict the use of this product below the conditions quoted. Limiting conditions refer to standard connections only. In the interest of development and improvement of the product, we reserve the right to change the specifications without prior notice.

All Dimensions are in mm. weights in kg.