

362

AUTOMATIC AIR-VENT VALVE



SIZE	PRESSURE	CODE	PACKING
3/8"	10bar/145psi	3620038	10/120
1/2"	10bar/145psi	3620012	10/120
3/4"	10bar/145psi	3620034	10/120
1"	10bar/145psi	3620100	10/100

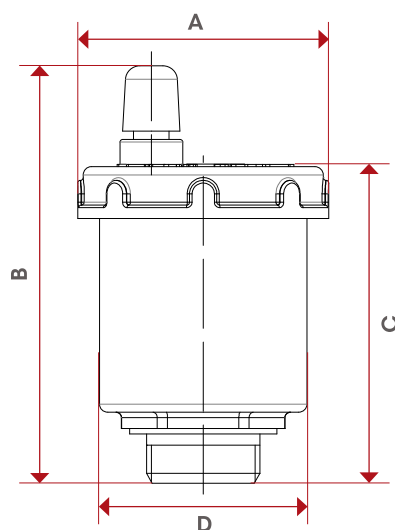
TECHNICAL SPECIFICATIONS

Body in nickel-plated brass.
 Float in polyethilenic resin.
 O-ring in NBR.
 Maximum working temperature: 110°C.
 Maximum discharge pressure: 6 bar.
 Threads: ISO228 (equivalent to DIN EN ISO 228 and BS EN ISO 228).

MATERIALS

POS.	DESCRIPTION	N.	MATERIAL
-	Body	-	Brass UNI EN 1982
-	Cap	-	Brass UNI EN 1982
-	Float	-	Polyetylen
-	Cap	-	Polyetylen
-	O-Ring	-	NBR
-	Mechanism	-	Brass
-	Junction	-	Acetal resin
-	Lever	-	Acetal resin
-	Stop	-	Acetal resin

OVERALL DIMENSIONS



	3/8"	1/2"	3/4"	1"
A	46	46	50	50
B	75,5	76,5	100	100
C	57	58	85	85
D	38	38	42	42
E	8	9	10	12
Kg/cm ² bar	10	10	10	10
LBS - psi	145	145	145	145

CERTIFICATIONS

