

TECHNICAL CATALOGUE

---

3-WAY BALL VALVE  
ART. 128





ITAP SpA, founded in Lumezzane (Brescia) in 1972, is currently one of the leading production companies in Italy of valves, fittings and distribution manifolds for plumbing and heating systems. Thanks to fully automated production processes, with 72 tooling machines and 51 assembly lines, we are able to produce 200,000 pieces per day. Our innate pursuit for innovation and observance of technical regulations is supported by the company certification ISO 9001: 2008. The company has always considered its focus on quality as the main tool to obtain significant business results: today ITAP SpA is proud to offer products bearing the approval of numerous international certifying bodies.



3-WAY BALL VALVE: ART. 128



## 3-WAY BALL VALVE

SUITABLE FOR DOMESTIC  
WATER SERVICES, HEATING, AIR-  
CONDITIONING PLANTS AND  
COMPRESSED AIR SYSTEMS.

# 128

## 3-WAY BALL VALVE



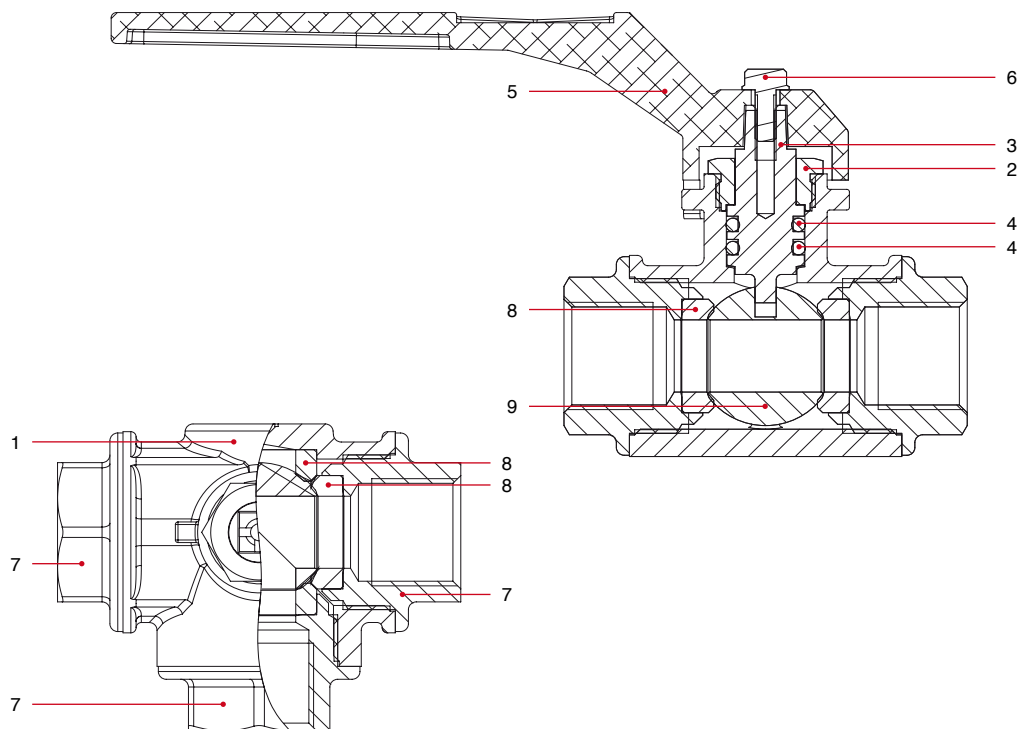
SIZE	PRESSURE	CODE	PACKING
1/4" (DN 8)	55bar/797,5psi	1280014L/T	4/32
3/8" (DN 10)	55bar/797,5psi	1280038L/T	4/32
1/2" (DN 15)	50bar/725psi	1280012L/T	4/32
3/4" (DN 20)	50bar/725psi	1280034L/T	2/16
1" (DN 25)	45bar/652,5psi	1280100L/T	2/16
1"1/4 (DN 32)	35bar/507,5psi	1280114L/T	2/12
1"1/2 (DN 40)	35bar/507,5psi	1280112L/T	2/8
2" (DN 50)	35bar/507,5psi	1280200L/T	2/4

### TECHNICAL SPECIFICATIONS

Female/female/female threads.  
 Lever handle in aluminium.  
 Body in nickel-plated brass.  
 Minimum and maximum working temperatures:  
 -20°C, 150°C in absence of steam.  
 Threads ISO228  
 (equivalent to DIN EN ISO 228 and BS EN ISO 228).

### MATERIALS

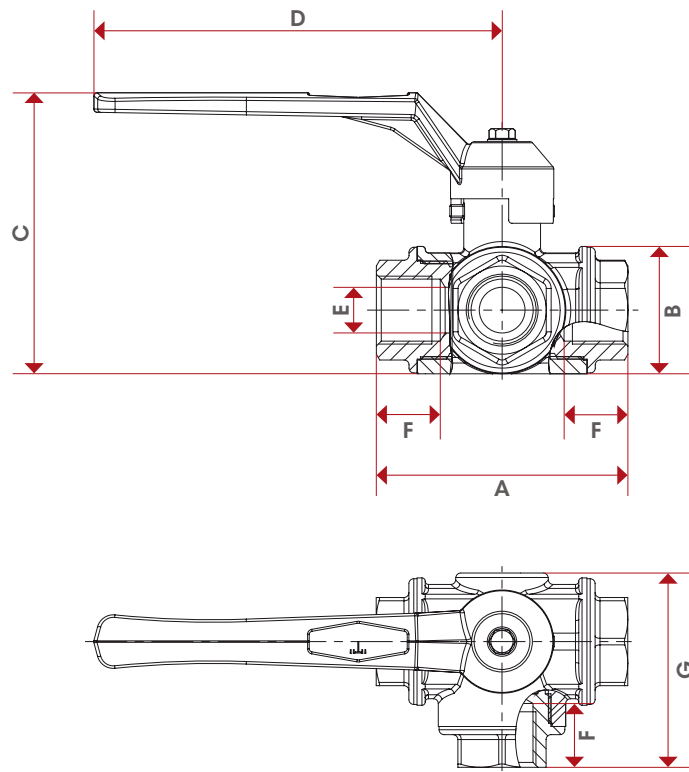
Available with T or L ball.



POS.	DESCRIPTION	N.	MATERIAL
1	Body	1	Nickel-plated brass CW617N
2	Packing gland	1	Brass CW614N
3	Stem	1	Brass CW614N
4	O-Ring	2	NBR
5	Lever handle	1	Varnished aluminium EN AB 46100
6	Screw	1	Steel
7	End adapter	3	Nickel-plated brass CW617N
8	Seat	4	P.T.F.E.
9	Ball	1	Chrome-plated brass CW617N



### OVERALL DIMENSIONS



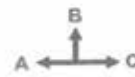
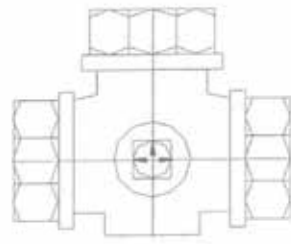
	1/4"	3/8"	1/2"	3/4"	1"	1"1/4	1"1/2	2"
DN	8	10	15	20	25	32	40	50
A	77	77	77	92	104	118,5	138	162
B	39	39	39	47	54,5	64,5	79	93,5
C	86	86	86	107	122,5	132	145,5	186
D	125	125	125	145	170	170	170	260
E	10	12	14	18	23	29	36	45
F	19	19	19	23	25	27	31	36
G	59,5	59,5	59,5	70,5	81	93	108	128
Kg/cm <sup>2</sup> bar	55	55	50	50	45	35	35	35
LBS - psi	797,5	797,5	725	725	652,5	507,5	507,5	507,5

### CERTIFICATIONS



## INSTALLATION

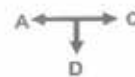
T valve operation: with the handle disassembled is visible, on the stem, a T mark, which indicates the running direction of the ball's holes, allowing the following combinations:



The flow go in all directions (A-B-C)



The flow go only from B to C (or vice versa)

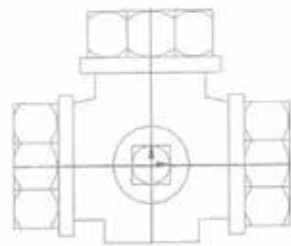


The flow go only from A to C (or vice versa)



The flow go only from A to B (or vice versa)

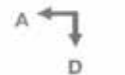
L valve operation: with the handle disassembled is visible, on the stem, a L mark, which indicates the running direction of the ball's holes, allowing the following combinations:



The flow go from B to C (or vice versa)



The flow is stopped



The flow is stopped



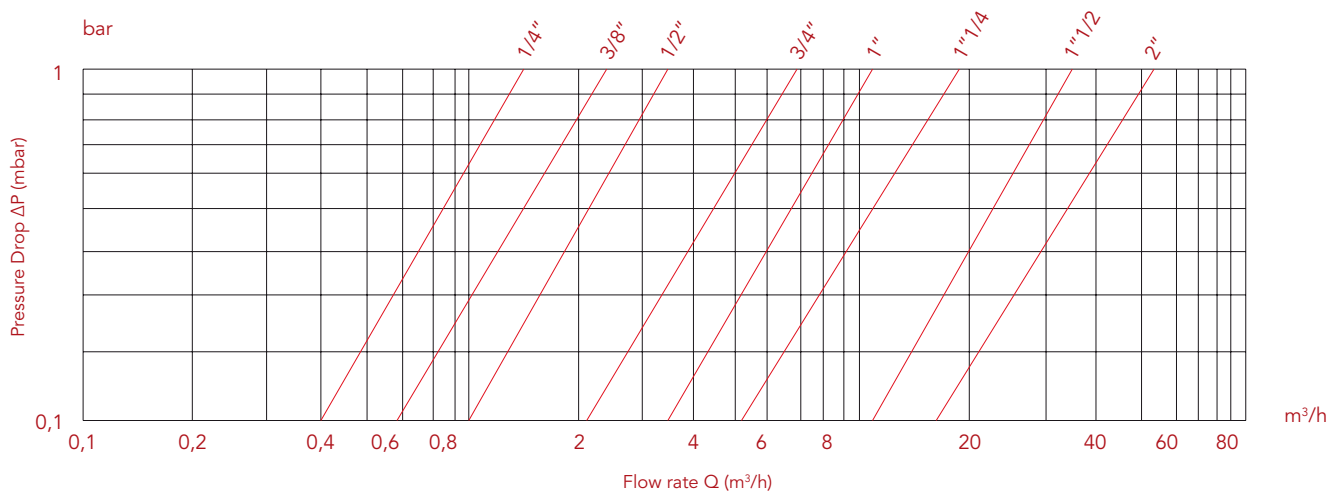
The flow go from A to B (or vice versa)





# FLOW RATE AND PRESSURE DROP CHART WITH WATER

Art: 128



SIZE	1/4"	3/8"	1/2"	3/4"	1"	1 1/4"	1 1/2"	2"
Kv	1,5	2,5	3,5	7	12	19,5	37	52



3-WAY BALL VALVE: ART. 128



# NOTES

Lined area for notes with horizontal dashed lines.

Art. 128

We reserve the right to make improvements and changes to the products described herein and to the relative technical data, at any time and without forewarning.



ITAP S.p.A.  
Via Ruca 19  
25065 Lumezzane  
Brescia (ITALIA)  
Tel 030 89270  
Fax 030 8921990  
[www.itap.it](http://www.itap.it) - [info@itap.it](mailto:info@itap.it)