

# 068

LONDON®  
BALL VALVE,  
FULL FLOW



SIZE	PRESSURE	CODE	PACKING
1/4" (DN 8)	5bar/72,5psi	068B014	15/165
3/8" (DN 10)	5bar/72,5psi	068B038	15/165
1/2" (DN 15)	5bar/72,5psi	068B012	10/110
3/4" (DN 20)	5bar/72,5psi	068B034	8/64
1" (DN 25)	5bar/72,5psi	068B100	6/48

## TECHNICAL SPECIFICATIONS

### EN 331 APPROVED.

Female/female threads.

Body in nickel-plated brass.

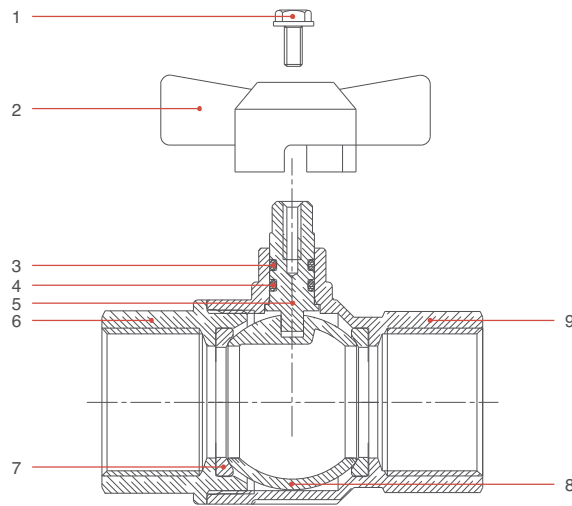
T handle in aluminium.

Minimum and maximum working temperatures: -20°C, 60°C.

Female thread ISO 7/1 Rp parallel

(equivalent to DIN EN 10226-1 and BS EN 10226-1).

## MATERIALS



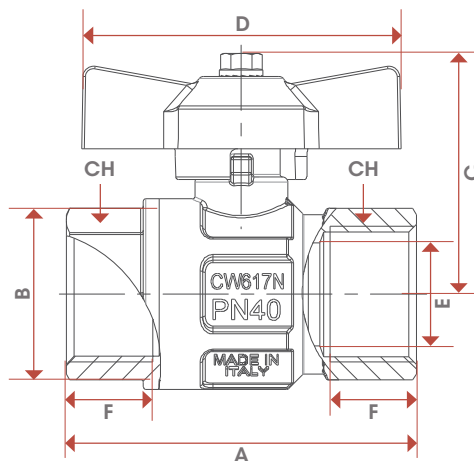
POS.	DESCRIPTION	N.	MATERIAL
1	Screw	1	Zinc-plated steel Fe CB4
2	T handle	1	Varnished aluminium
3	O-Ring	1	VITON®
4	O-Ring	1	NBR
5	Stem	1	Brass CW614N
6	End adapter	1	Nickel-plated brass CW617N
7	Seat	2	PT.FE.
8	Ball	1	Chrome-plated brass CW617N
9	Body	1	Nickel-plated brass CW617N





TEC

### OVERALL DIMENSIONS



	1/4"	3/8"	1/2"	3/4"	1"
DN	8	10	15	20	25
A	49,5	52,4	61	68	85
B	23,5	24	30,5	37	45,5
C	37,3	37,3	48,8	54,8	56,8
D	47	47	54	62	62
E	10	10	15	20	25
F	11	11,4	15	16,3	19,1
CH	18	21	25	31	38
Kg/cm <sup>2</sup> bar	5	5	5	5	5
LBS - psi	72,5	72,5	72,5	72,5	72,5

### CERTIFICATIONS



LONDON<sup>®</sup>