

5/2, 3/2-Way (Convertible) Pilot Operated, Namur Mounting Solenoid Valves with M-22 SQ Coil

DATA SHEET
9385 E
9485 E

SPECIFICATIONS

Sizes	: 6 mm (1/4")
End Connections	: Standard-G-ISO-228 (BSP-F).
Construction-Body	: Aluminium deep anodised bar stock.
- Seat	: Standard-Nitrile (Buna 'N').
Differential Pressure	: 2 to 10 bar.
Temperature of fluid	: -5°C to 50°C.
Coil voltage	: Standard -230-volts, 50Hz A.C. Optional - 24, 110, 240 V DC & AC 50Hz or 60Hz.
Coil insulation and temperature	: Ambient upto 32°C. Class 'H' insulated upto 155°C
Coil Rating	: Continuously rated.
Enclosure	: SQ moulded coil upto IP-20. Optional - Weatherproof SQ moulded coil upto IP-67.
Fluids	: Lubricated and non-lubricated air, gas filtered to 50 microns.
Minimum. Kv Flow Factor	: 0.5

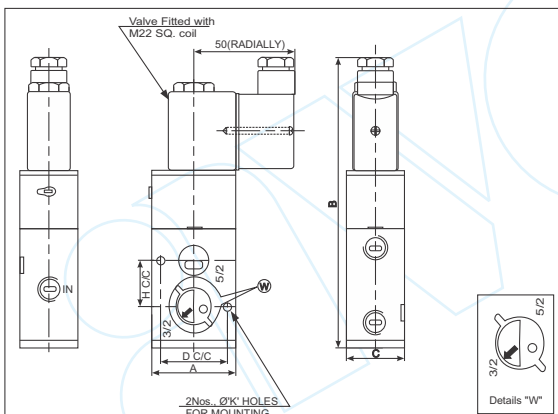
Not Available

- (a) NPT Thread
- (b) No Flameproof coils
- (c) No other electrical cable entry except PG 11, available in DIN Connector.



Sales Point : Reliable fast acting valve for multimillion operations. Lockable resettable manual override as a standard. Valve type 3-way or 5-way is selectable by using the orientation of plastic disc in No.2 port (refer to IM). Coils are supplied with DIN Connector and with LED.

Application : When using as a 5-way valve, can operate double acting actuator. When using as a 3-way valve, can operate on single acting, spring return actuator. While exhausting, portion of air is re-introduced in spring chamber to boost operating speed of return stroke. Mostly used in process industry, specially on single acting and double acting 90° turn actuator.



ELECTRICAL REFERENCE

Coil Type	Power Consumption & Watt Rating			Class of Insulation	Protection
	AC		DC		
	VA Inrush	VA Holding	Watts		
M22 SQ	12.7	9.4	6	H	GP/WP IP-67

DIMENSIONS IN (MM)

Catalogue Number	Pipe Size	Constr. Ref.	A	B	C	D	H	ØK	weight Approx.
	Inch								Kgs.
9385E06	1/4	102.1	40	147	27	32	24	5.2	0.470
9485E06	1/4	102.1	40	147	27	32	24	5.2	0.470

SPECIFICATIONS TABLE 2 POSITION SINGLE SOLENOID

Catalogue Number	Pipe Size	Orifice Size	Flow Factor Kv	Minimum Pressure	Maximum Operating Pressure (bar)						BTP	Material	Constr. Ref.	VA Rating	Watt Rating	Coil	Housing	
					AC			DC										
					Air/Gas	Water	Light Oil	Air/Gas	Water	Light Oil								
9385E06	1/4	6	0.5	2	10	-	-	10	-	-	15	AL	BN	102.1	5.5	4.8	M22	SQ
9485E06	1/4	6	0.5	2	10	-	-	10	-	-	15	AL	BN	102.1	5.5	4.8	M22	SQ

